



## CURTAIN WALLS | PRODUCT SOLUTIONS



**CURTAIN WALL** offers unlimited design freedom with maximum transparency to meet all the requirements for contemporary architecture. Innovative solutions contribute toward the tendency of large and expansive panes of glass. Window & Door Solutions can be seamlessly integrated into a framed structure. The system features several design and glazing variants, featuring standard pressure plates and structurally clamped options.



### FEATURES/HIGHLIGHTS

- Standard 2" Visible Width for All Spans
- Variety of Cap Designs & Sizes
- Structurally Clamped Configuration
- Slim (Steel Look) Frame Option
- Combines w/ All Other Product Solutions

## WINDOW & DOOR PRODUCT SOLUTIONS

HARMONIOUSLY WORKING TOGETHER FOR MAXIMUM VISUAL APPEAL

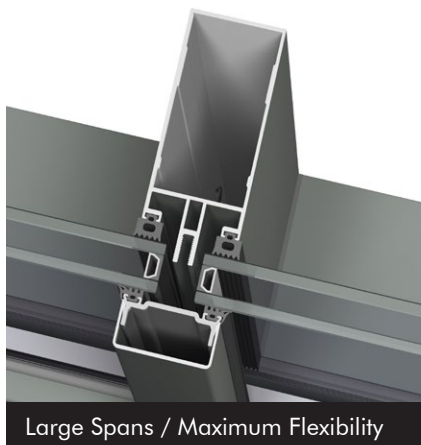


Barclay Home Design | Photographer: Blackstone Edge Studios (Philip Clayton-Thompson)

## CURTAIN WALLS | PRODUCT SOLUTIONS

**EXPANSIVE VIEWS WITH UNLIMITED POSSIBILITIES.** Reynaers is a worldwide leader for custom curtain wall solutions. Our products are featured on some of the most complex and well know buildings in the world. Our system design allows for the integration of other Reynaers window and door systems with a variety of concealed connection profiles for superior aesthetics. Designed for large walls of glass, these solutions are ideal for situations where heights exceed 12' ft. versus using a window wall system. In addition, curtain walls can be used to seamlessly combine various window and door systems into a single facade. Regardless of height and span our frame profiles always feature a 2 in. visible width for some of the narrowest sight-lines in the industry.

### CONCEPT WALL CW 50



Large Spans / Maximum Flexibility

CW 50 is the standard frame for curtain wall that blends well with any of the various profile designs within our product lines.

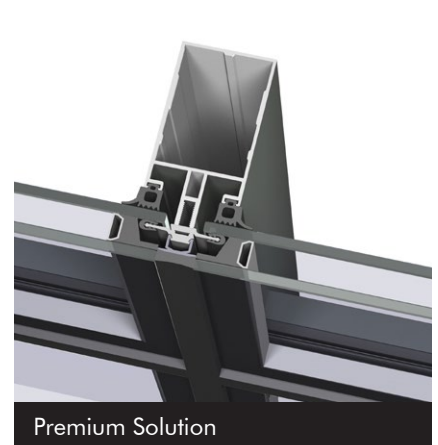
### CW 50-SL SLIMLINE



Slim / Steel Look

CW 50-SL Slimline features a slim frame to coordinate with other slimline product variants to achieve a steel or classic look.

### CW 50-SC STRUCTURAL

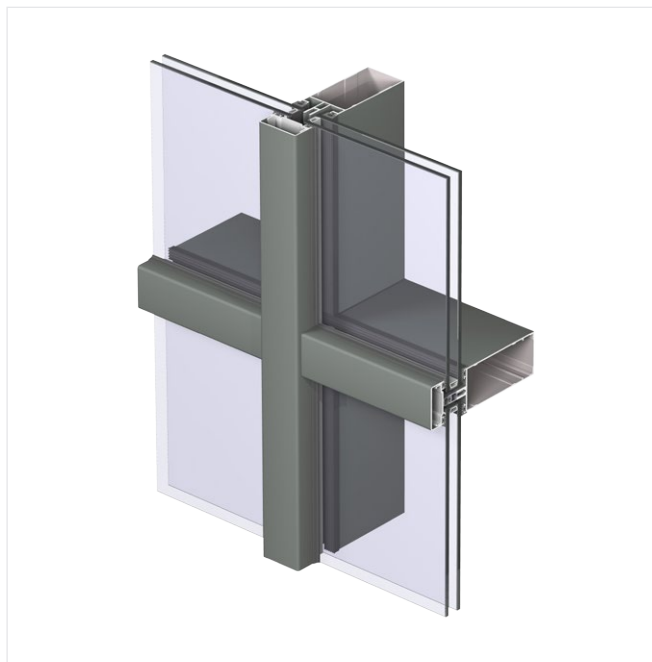


Premium Solution

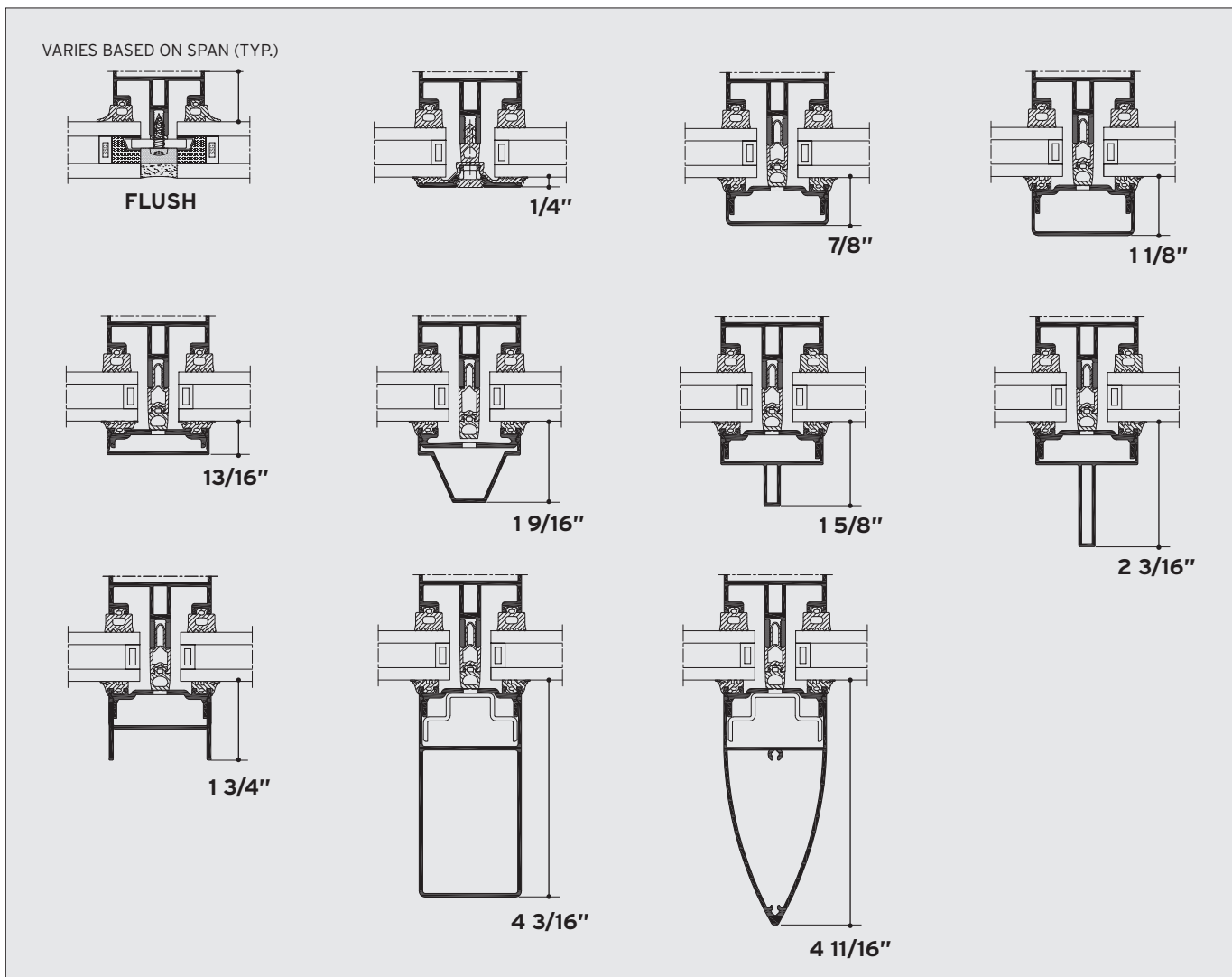
CW 50-SC structural clamped curtain wall is ideal when seeking a continuous flush pane of exterior glass for a sleek look.





**A VARIETY OF CAP DESIGN OPTIONS.** The CW 50 stands for an extensive range of profiles, gaskets, accessories and tools, specially developed for easy installation. An extensive range of CW 50 profiles meet all the requirements of contemporary architecture, including a large variety of exterior options.

Profile Dimensions		Visible Width (in.)	
		Interior	Exterior
<b>CW 50</b> Standard	Standard	2	2
<b>CW 50</b>	Slimline	2	2
<b>CW 50-SC</b>	Structurally Clamped	2	3/4" Caulk Joint



### POPULAR EXTERIOR CAP DESIGN OPTIONS



Performance Specifications		CW 50		CW 50-SlimLine		CW 50-SC		
	Glazing	Double	Triple	Double	Triple	Double	Triple	
 Thermal Insulation (Btu/hr·ft <sup>2</sup> ·°F)	U <sub>w</sub>	0.23	0.14	0.23	0.14	0.23	0.14	
	SHGC	0.25	0.18	0.25	0.18	0.25	0.18	
	Acoustic Performance ASTM E90-09/1332	STC	41		41		39	
		OITC	35		35		34	
 Air Tightness (cfm/ft <sup>2</sup> )		0.02		0.02		0.04		
 Wind Load Resistance (psf)		90 Structural Overload		90 Structural Overload		90 Structural Overload		
 Water Tightness (Static & Dynamic) (psf)		15		15		15		

ALL RESULTS BASED ON GATEWAY SIZES; VARY DEPENDING ON GLASS/PROFILE COMBINATIONS | ABOVE U<sub>w</sub> & SHGC VALUES DO NOT NECESSARILY WORK IN COMBINATION

**REYNAERS ALUMINIUM** is a symbol of high quality architectural windows and doors. Reynaers continually leverage the latest world-wide technology to evolve our products into engineering marvels that are aesthetically breathtaking.

**BIG GLASS OPENINGS** is a preeminent fabricator partnering with Reynaers Aluminium to provide a wide range of product offerings. We specialize in servicing the high-end residential and commercial markets throughout Canada and the North Eastern United States. Every order is custom made to meet your exact specifications. Our dedicated team of skilled individuals works with you from concept and design right through to project completion and service.

**DRY GLAZING** Dry glazing offers easier installation in any weather condition and allows for simple on-site glass replacement without requiring removal of frames or panels. This method provides the ultimate in air & water infiltration performance with gaskets on both sides of the glass.

**HIGH PERFORMANCE GLASS** Big Glass Openings sources glass from only best in class glazing suppliers worldwide. We specialize in over-sized units in double or triple pane solutions with a range of Low E coatings or tints for maximum heat resistance and energy performance. All our glass is certified specific to your region and exceeds local code requirements.

DESIGNED IN EUROPE,  
**FABRICATED IN CANADA.**

